

No. 6085

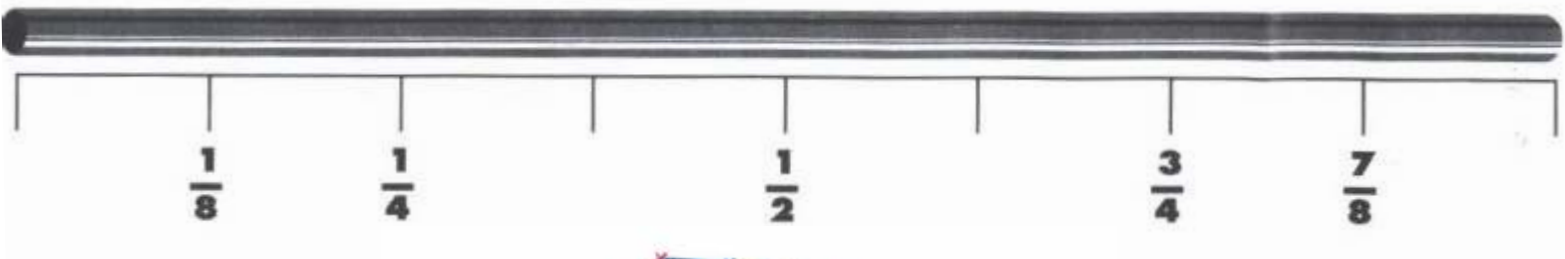
Straws and Connectors



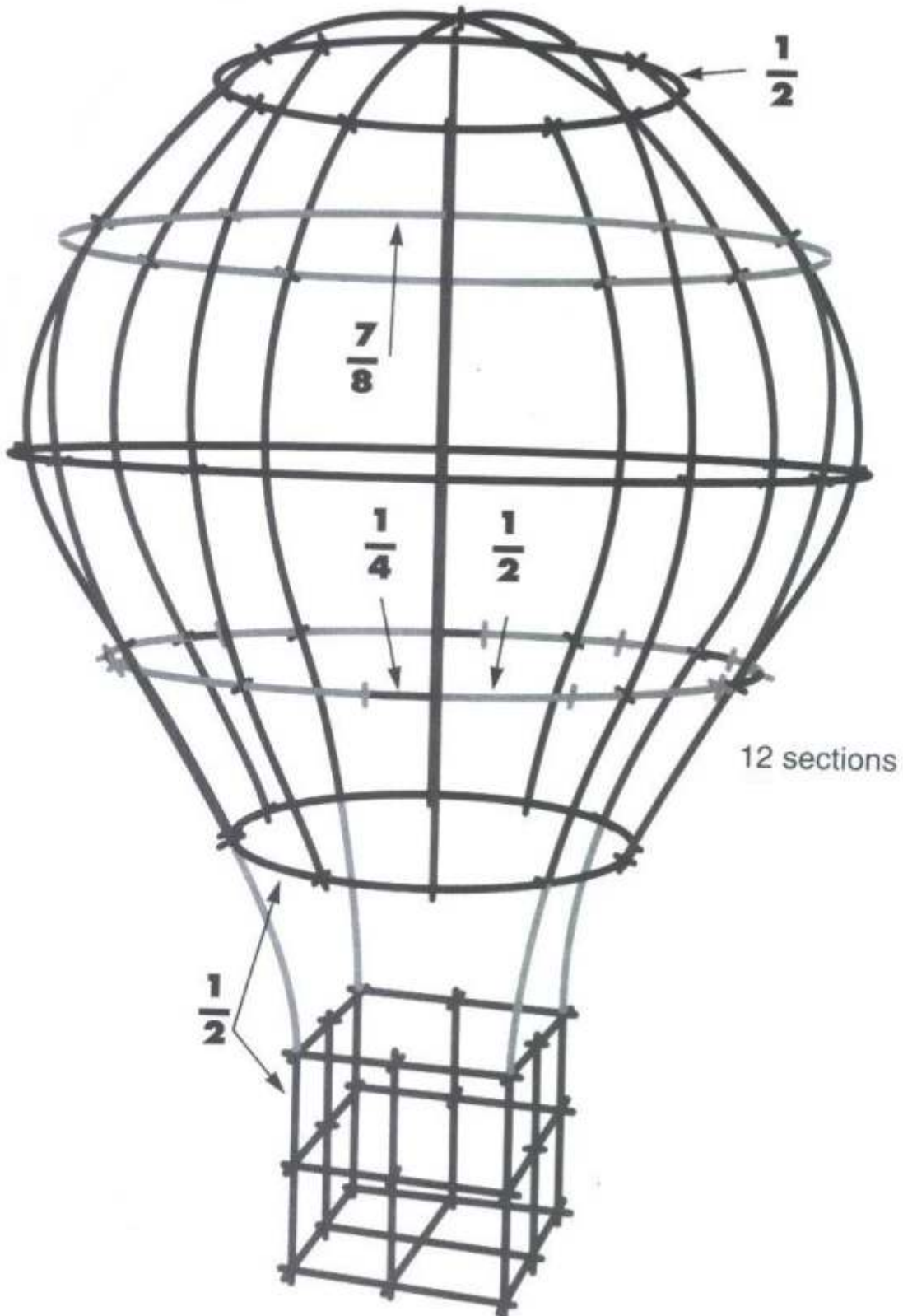
! WARNING:
CHOKING HAZARD—Small Parts
Not for children under 3 years

Build gigantic structures with durable straws and colorful connectors. Straws and connectors can be used to build structures such as monuments, airplanes, forts, boats and anything else you can imagine.

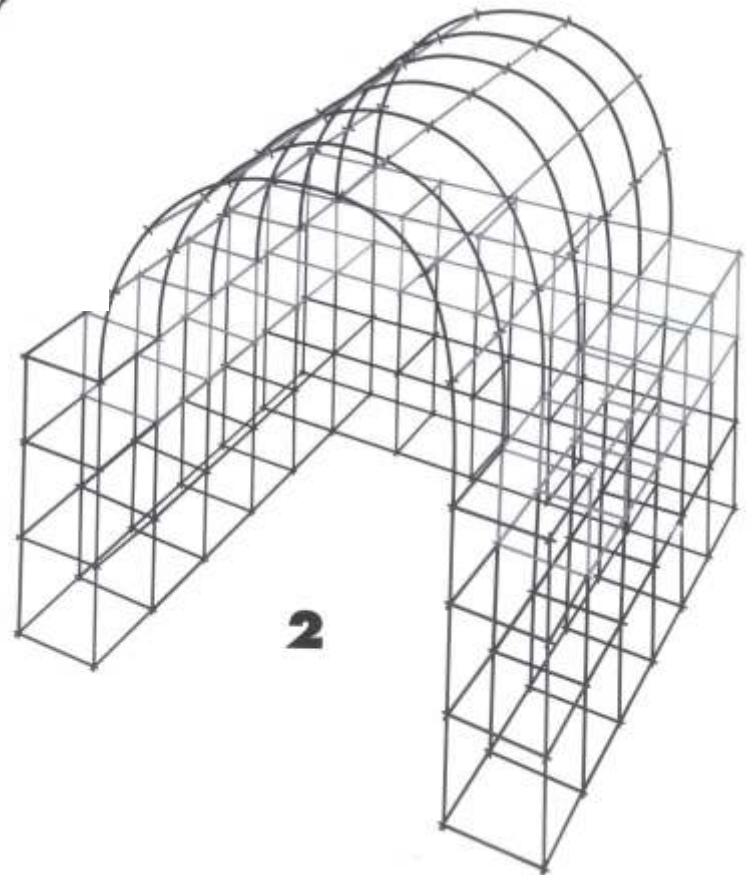
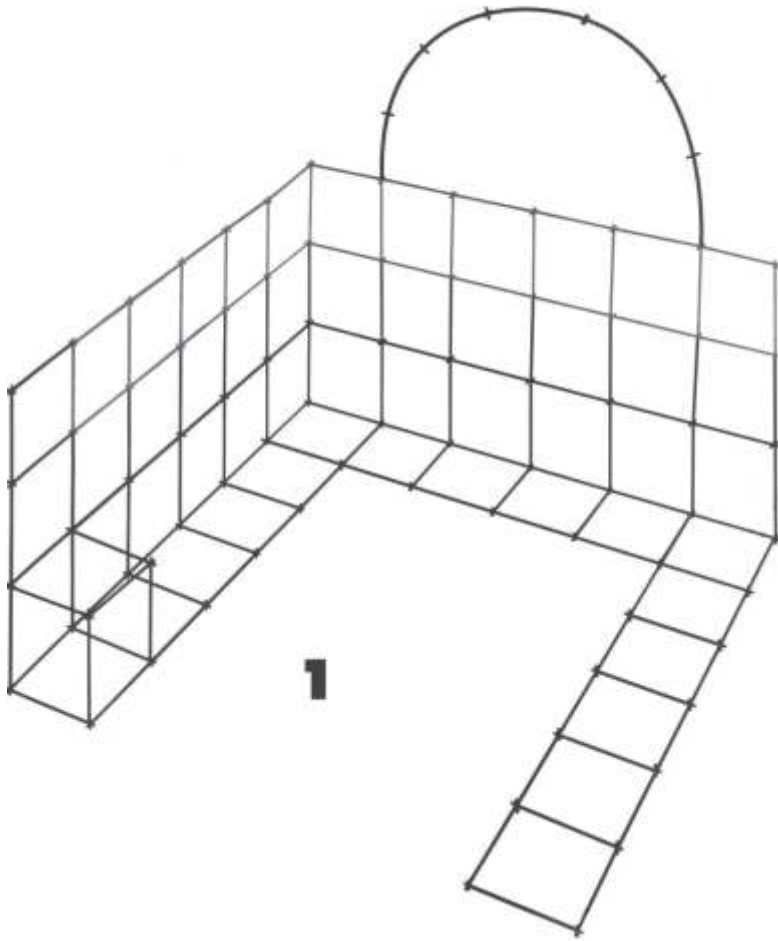
The straws are flexible, allowing you to make structures with bends and curves. Straws can also be easily cut to make more versatile structures.



HOT AIR BALLOON



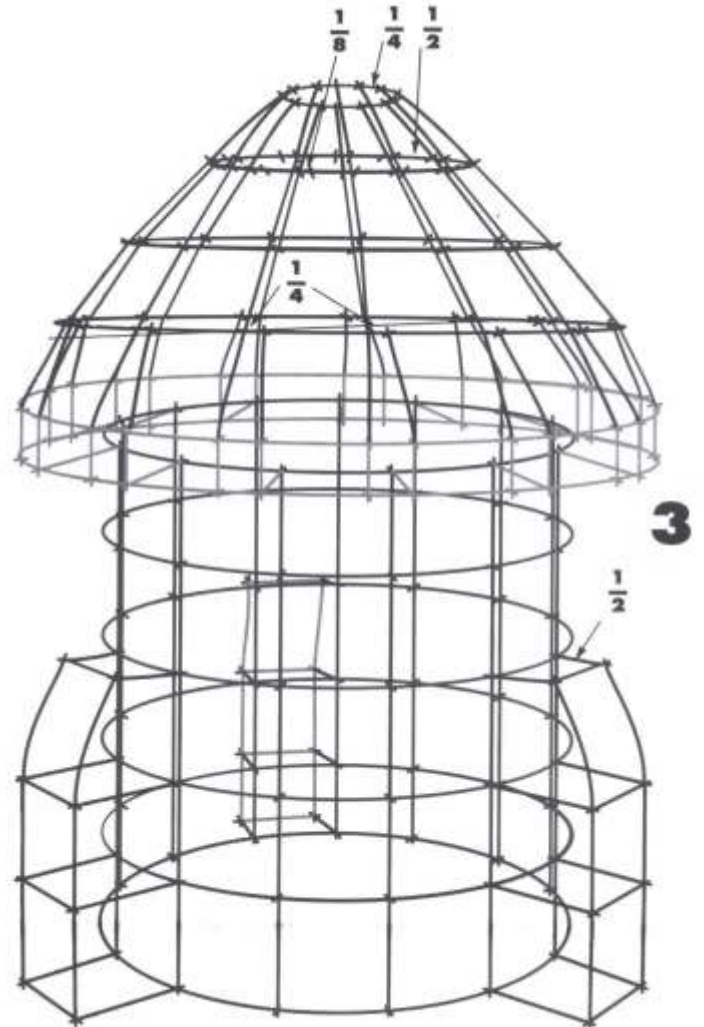
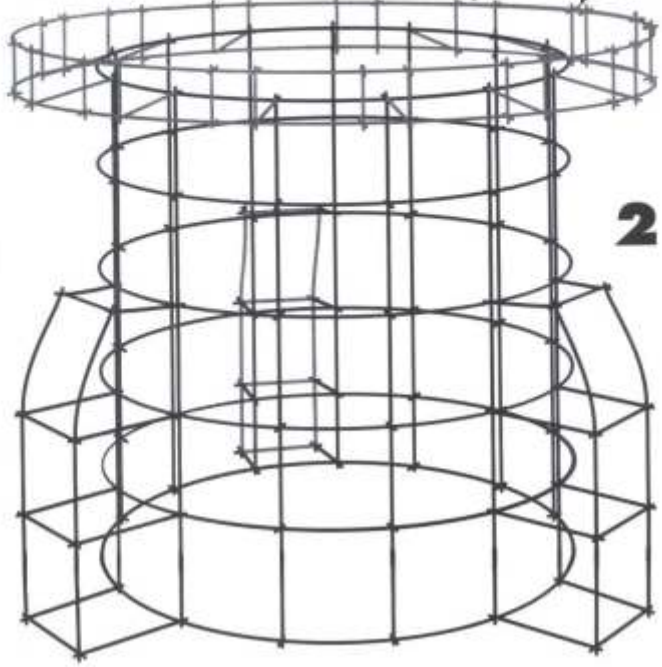
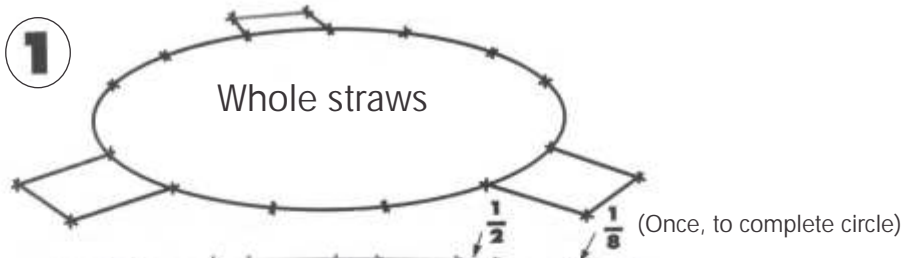
HOUSE



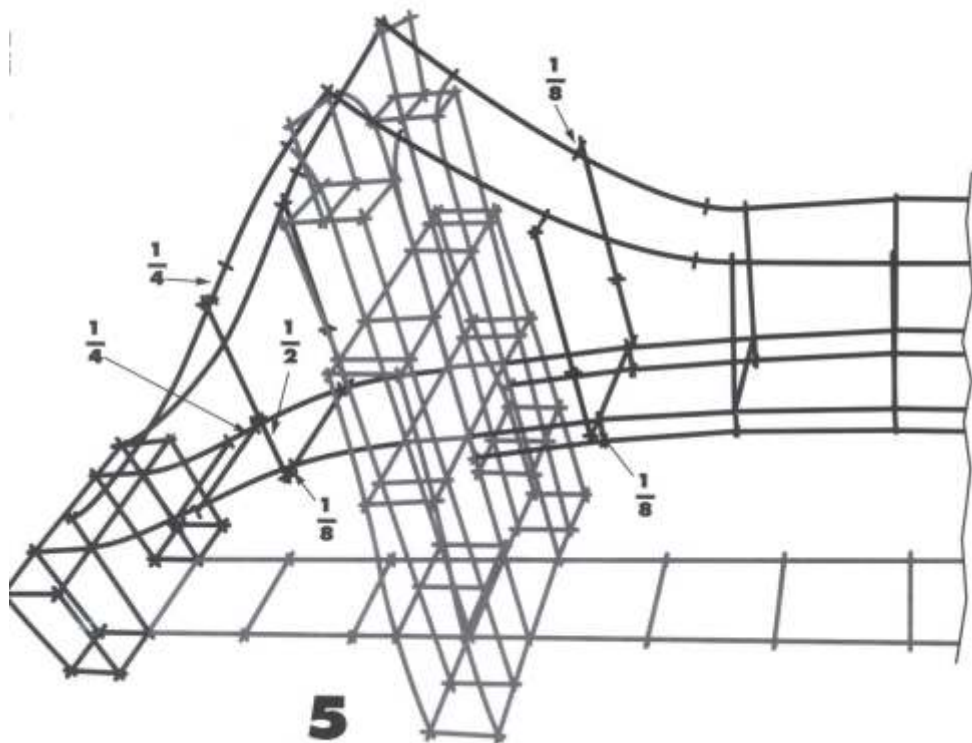
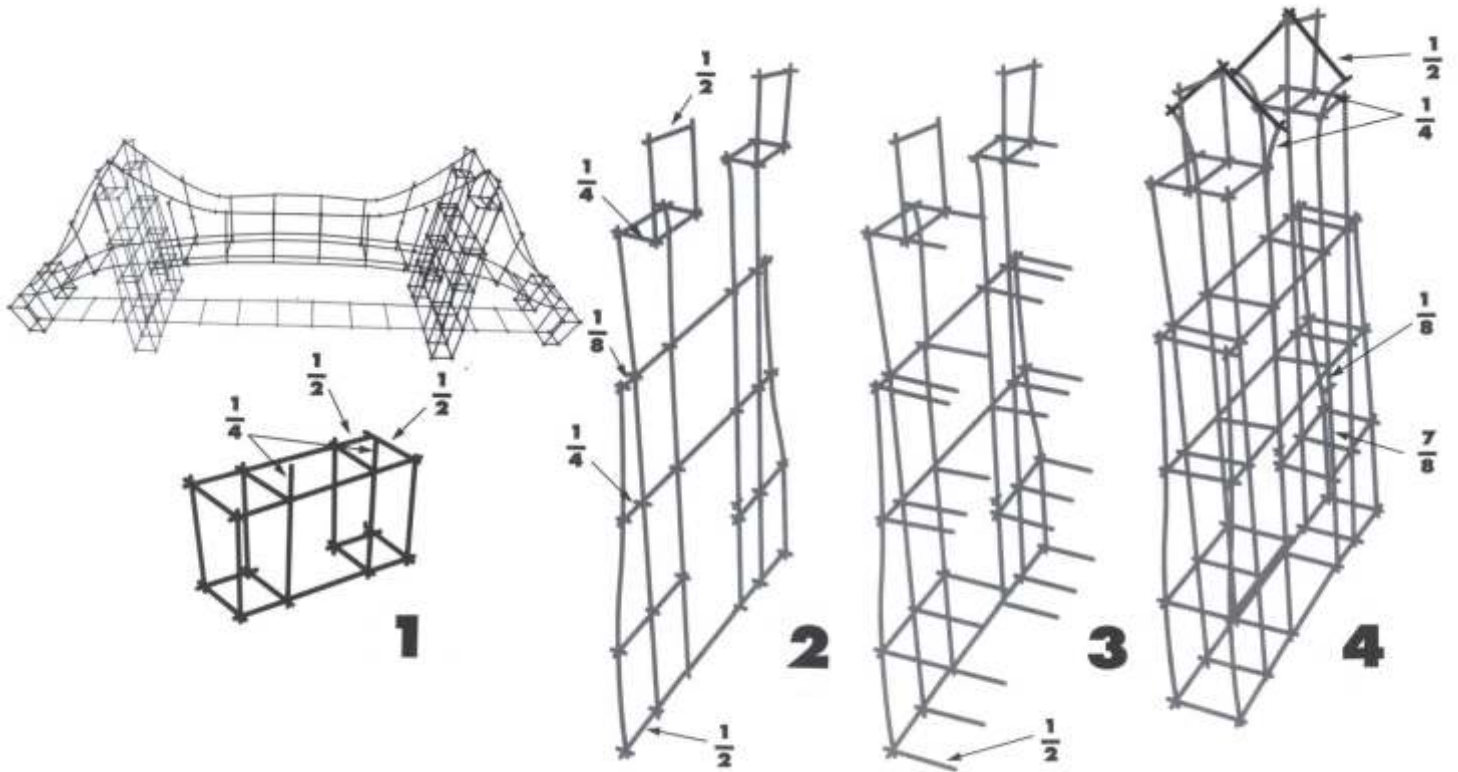
No cutting necessary.
Put a bedsheet over
your house and move
in!

ROCKETSHIP

1



GOLDEN GATE BRIDGE



EIFFEL TOWER

